

Coiltronics MPI2520

High Current, Low Profile, Miniature Power Inductors



Applications:

- Mobile/smart phones
- Handheld/mobile equipment
- Digital cameras
- Media players
- GPS
- MP3 Players
- Tablets/e-readers

Environmental data:

- Storage temperature range (Component): -40°C to +125°C
- Operating temperature range: -40°C to +125°C (ambient + self-temperature rise)
- Solder reflow temperature: J-STD-020D compliant

Packaging:

- Supplied in tape and reel packaging, 3000 parts per 7" diameter reel

Product description:

- Halogen free, lead free, RoHS compliant
- 125°C maximum total temperature operation
- 2.7 x 2.2 x 1.0 / 1.2mm maximum surface mount package
- Magnetically shielded, low EMI
- Inductance range from 0.47µH to 10.0µH
- Current range from 1.1 to 4.8 amps



The Coiltronics brand of magnetics (formerly of the Bussmann Division of Cooper Industries) is now part of Eaton's Electrical Group, Electronics Division.

Coiltronics is now part of Eaton
Same great products plus even more.



Powering Business Worldwide

Product specifications

Part Number ⁵	OCL1 (μH) $\pm 20\%$	I_{rms}^2 (Amps)	I_{sat}^3 (Amps)	DCR (m Ω) @ 25°C typical	DCR (m Ω) @ 25°C max	K-Factor ⁴
R0 —1.0mm Height						
MPI2520R0-R47-R	0.47	4.1	4.4	28	34	2887
MPI2520R0-1R0-R	0.9	3.2	3.2	50	60	1925
MPI2520R0-1R5-R	1.5	2.4	2.6	80	96	1444
MPI2520R0-2R2-R	2.2	2.2	2.4	103	124	1283
MPI2520R0-3R3-R	3.3	1.6	1.6	190	228	1050
MPI2520R0-4R7-R	4.7	1.4	1.4	240	288	825
R1 - 1.2mm Height						
MPI2520R1-R47-R	0.47	4.5	4.8	20	24	2310
MPI2520R1-1R0-R	1.0	3.7	4.0	35	42	1925
MPI2520R1-1R5-R	1.5	2.9	3.4	55	66	1444
MPI2520R1-2R2-R	2.2	2.3	2.7	75	90	1255
MPI2520R1-3R3-R	3.3	1.8	2.4	105	126	962
MPI2520R1-4R7-R	4.7	1.6	1.9	150	180	825
MPI2520R1-5R6-R	5.6	1.5	1.5	200	240	679
MPI2520R1-6R8-R	6.8	1.3	1.3	300	360	679
MPI2520R1-100-R	10.0	1.1	1.2	390	468	525

1. Open Circuit Inductance (OCL) Test Parameters: 1MHz, 0.1Vrms, 0.0Adc, 25°C

2. I_{rms} : DC current for an approximate temperature rise of 40°C without core loss. Derating is necessary for AC currents. PCB layout, trace thickness and width, air-flow, and proximity of other heat generating components will affect the temperature rise. It is recommended that the temperature of the part not exceed 125°C under worst case operating conditions verified in the end application.

3. I_{sat} : Peak current for approximately 30% rolloff at +25°C

4. K-factor: Used to determine B_{pp} for core loss (see graph).

$B_{\text{pp}} = K * L * \Delta I$. B_{pp} : (Gauss), K : (K-factor from table),

L : (Inductance in μH), ΔI (Peak to peak ripple current in Amps).

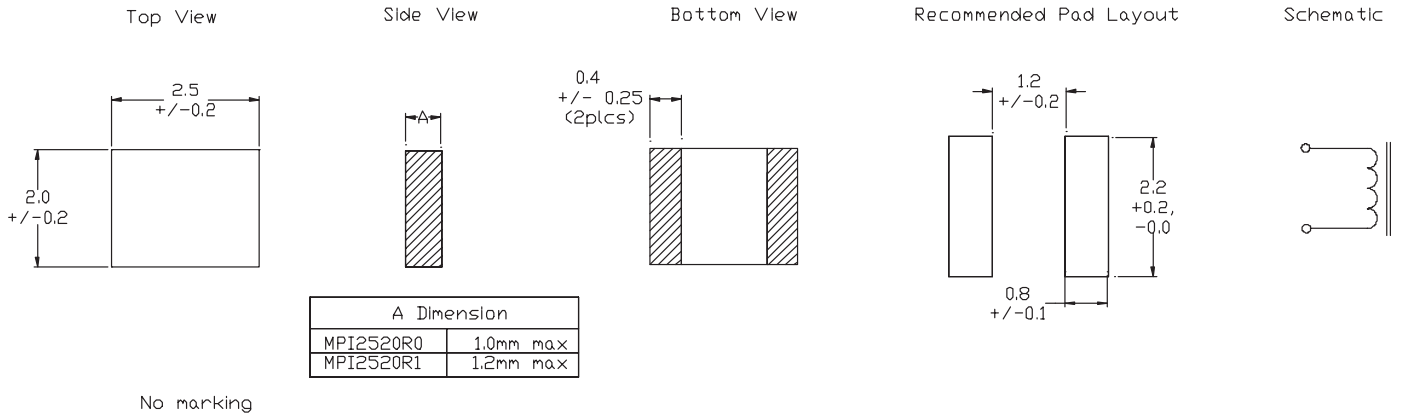
5. Part Number Definition: MPI2520Rx-yyy-R

- MPI2520Rx = Product code and size

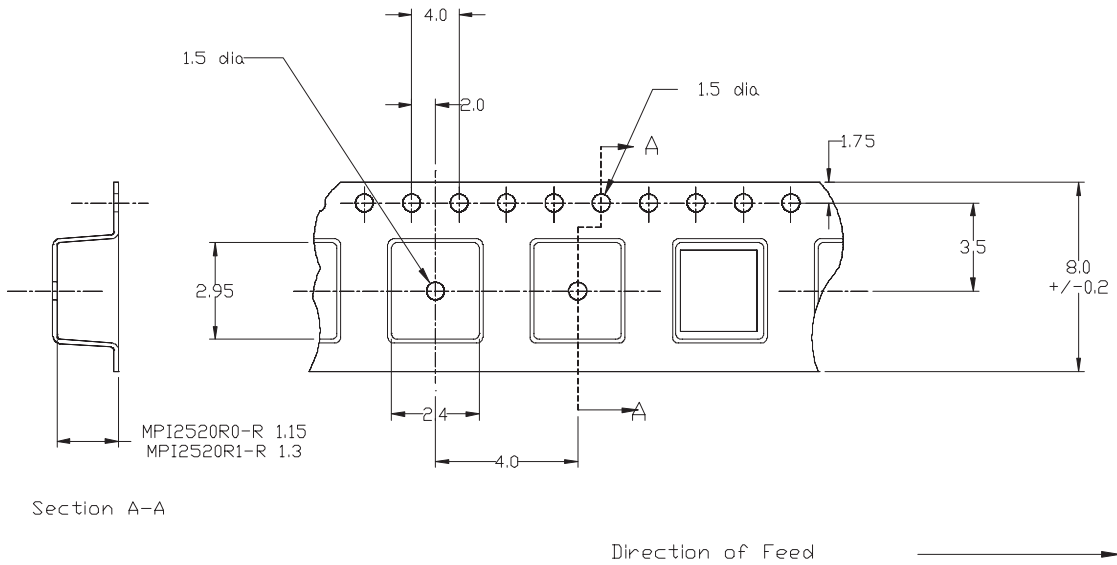
- yyy = Inductance value in μH , R = decimal point,
if no R is present then third character = number of zeros.

- "-R" suffix = RoHS compliant

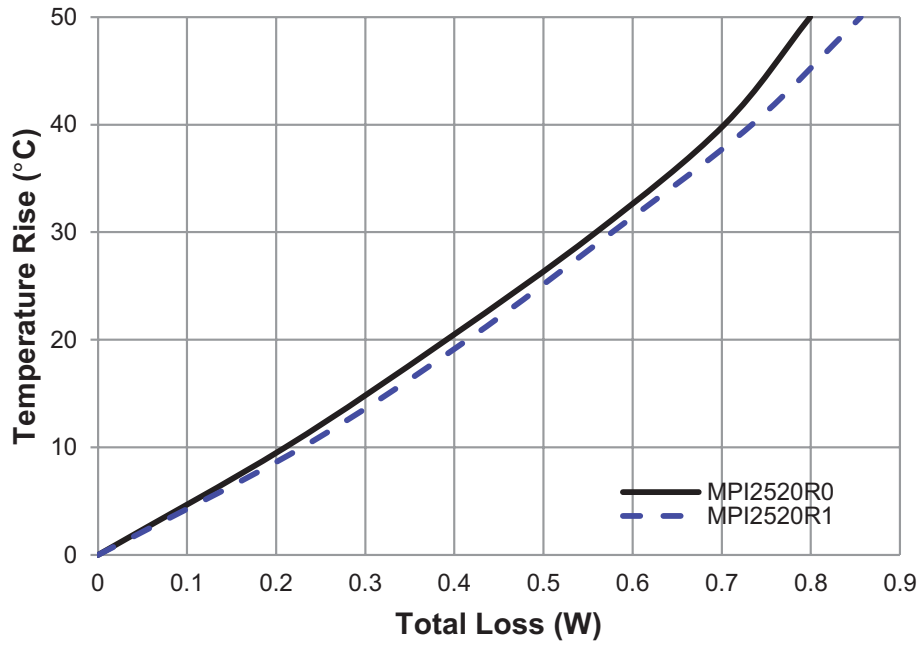
Dimensions - mm



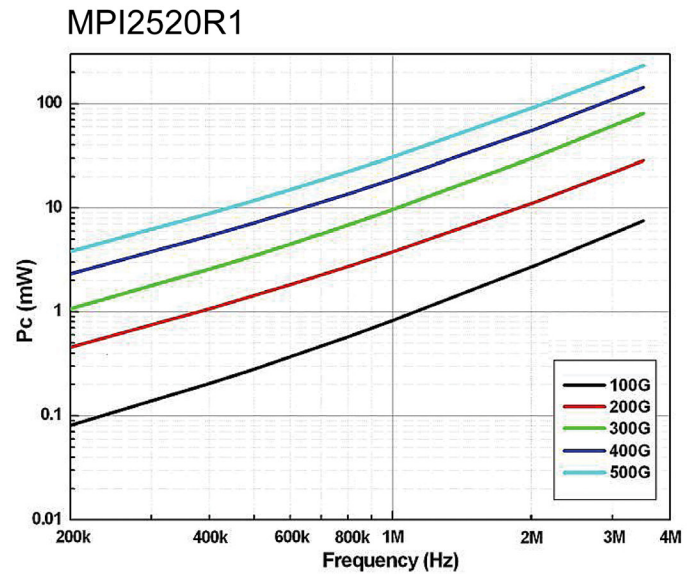
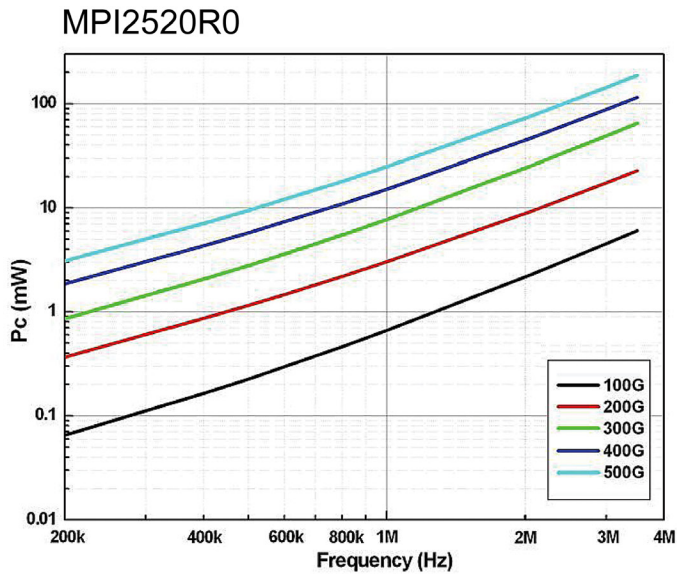
Packaging information - mm



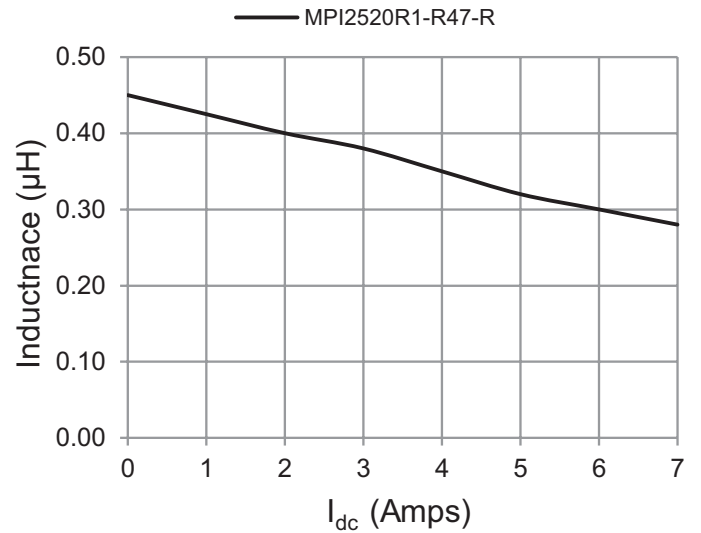
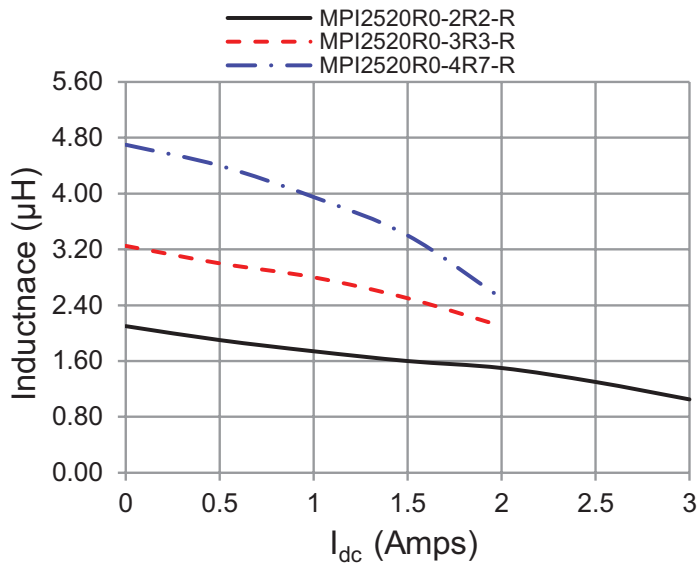
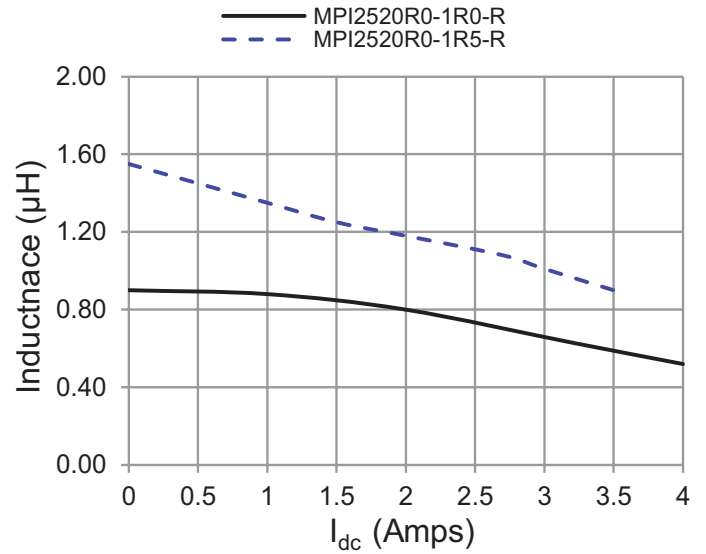
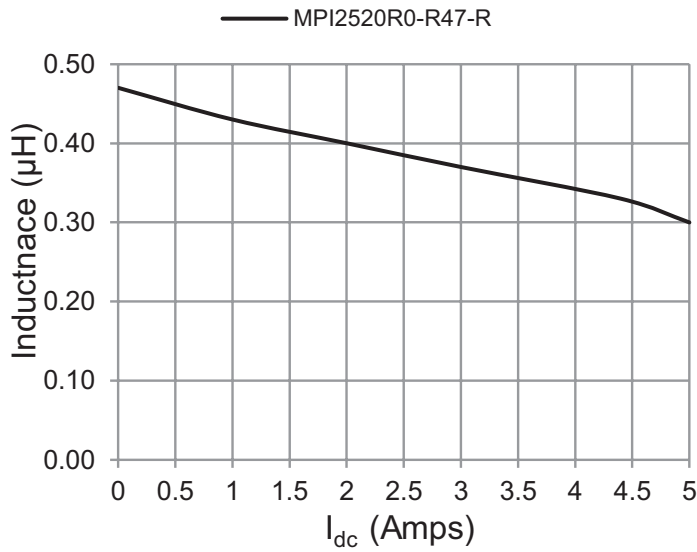
Temperature rise vs. total loss



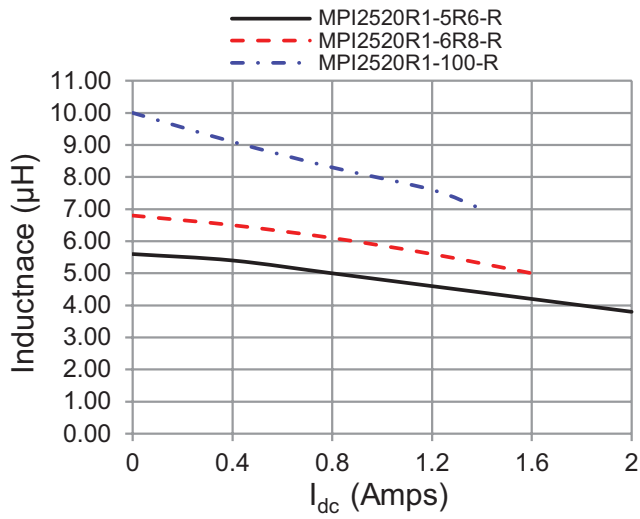
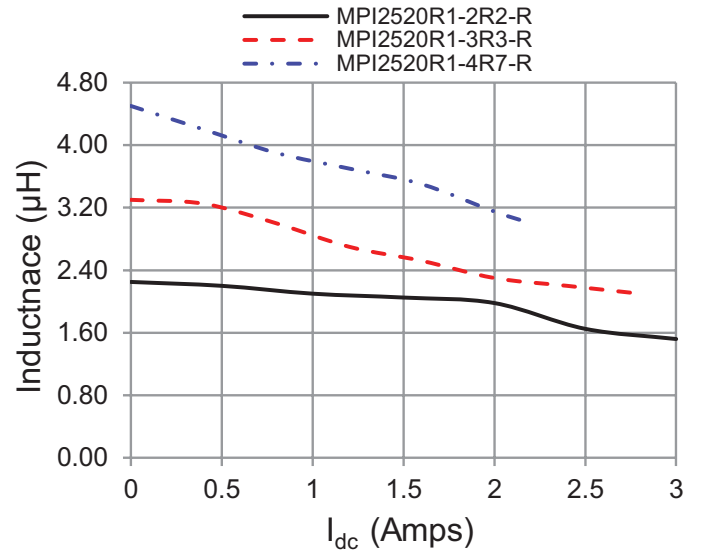
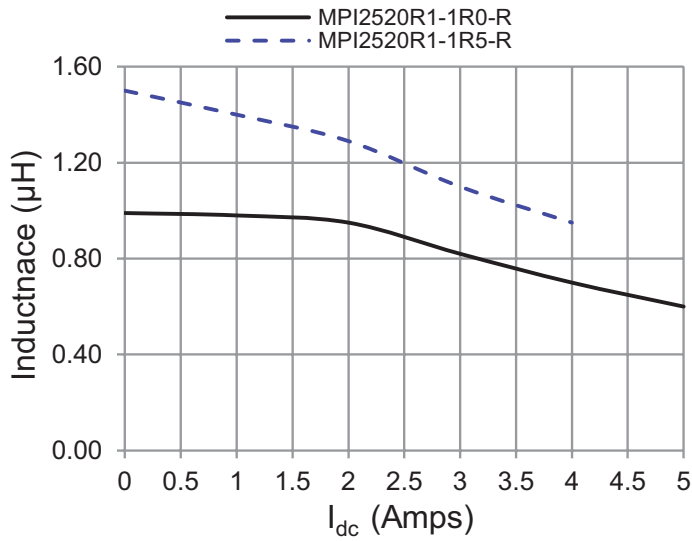
Core loss



Inductance characteristics



Inductance characteristics



Solder reflow profile

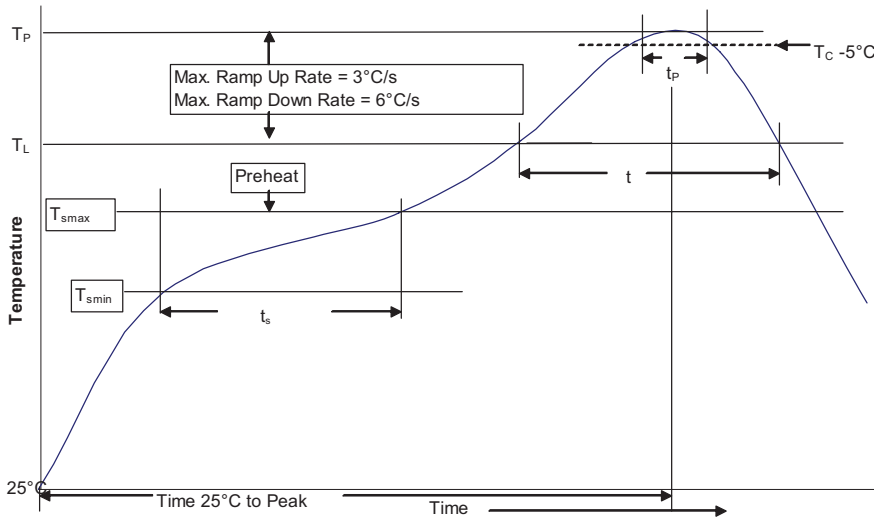


Table 1 - Standard SnPb Solder (T_C)

Package Thickness	Volume <350 mm ³	Volume ≥ 350 mm ³
<2.5 mm	235°C	220°C
≥ 2.5 mm	220°C	220°C

Table 2 - Lead (Pb) Free Solder (T_C)

Package Thickness	Volume <350 mm ³	Volume $350 - 2000$ mm ³	Volume >2000 mm ³
<1.6 mm	260°C	260°C	260°C
1.6 – 2.5mm	260°C	250°C	245°C
>2.5 mm	250°C	245°C	245°C

Reference JEDEC J-STD-020D

Profile Feature	Standard SnPb Solder	Lead (Pb) Free Solder
Preheat and Soak	100°C	150°C
• Temperature min. (T_{smin})	150°C	200°C
• Temperature max. (T_{smax})	60-120 Seconds	60-120 Seconds
• Time (T_{smin} to T_{smax}) (t_s)	3°C/ Second Max.	3°C/ Second Max.
Average ramp up rate T_{smax} to T_p	183°C	217°C
Liquidous temperature (T_L)	60-150 Seconds	60-150 Seconds
Time at liquidous (t_L)	Table 1	Table 2
Peak package body temperature (T_p)*	20 Seconds**	30 Seconds**
Time (t_p)** within 5 °C of the specified classification temperature (T_C)	6°C/ Second Max.	6°C/ Second Max.
Average ramp-down rate (T_p to T_{smax})	6 Minutes Max.	8 Minutes Max.
Time 25°C to Peak Temperature		

* Tolerance for peak profile temperature (T_p) is defined as a supplier minimum and a user maximum.

** Tolerance for time at peak profile temperature (t_p) is defined as a supplier minimum and a user maximum.

North America

Eaton's Electrical Group
Electronics Division
1225 Broken Sound Parkway NW
Suite F
Boca Raton, FL 33487-3533
Tel: 1-561-998-4100
Fax: 1-561-241-6640
Toll Free: 1-888-414-2645

Eaton's Electrical Group
Electronics Division
P.O. Box 14460
St. Louis, MO 63178-4460
Tel: 1-636-394-2877
Fax: 1-636-527-1607

Europe

Eaton's Electrical Group
Electronics Division
Burton-on-the-Wolds
Leicestershire, LE 12 5th UK
Phone: +44 (0) 1509 882 600
Fax: +44 (0) 1509 882 786

Eaton's Electrical Group
Electronics Division
Avda Santa Eulalia, 290
Terrassa, Barcelona 08223 Spain
Phone: +34-93-736-2813
Fax: +34-93-783-5055

Asia Pacific

Eaton's Electrical Group
Electronics Division
No.2, #06-01
Serangoon North Avenue 5
Singapore 554911
Tel: +65 6645 9888
Fax: +65 6728 3155

The only controlled copy of this Data Sheet is the electronic read-only version located on the Bussmann Network Drive. All other copies of this document are by definition uncontrolled. This bulletin is intended to clearly present comprehensive product data and provide technical information that will help the end user with design applications. Bussmann reserves the right, without notice, to change design or construction of any products and to discontinue or limit distribution of any products. Bussmann also reserves the right to change or update, without notice, any technical information contained in this bulletin. Once a product has been selected, it should be tested by the user in all possible applications.

Life Support Policy: Bussmann does not authorize the use of any of its products for use in life support devices or systems without the express written approval of an officer of the Company. Life support systems are devices which support or sustain life, and whose failure to perform, when properly used in accordance with instructions for use provided in the labeling, can be reasonably expected to result in significant injury to the user.

**Eaton's Electrical Group
Electronics Division**
114 Old State Road
Ellisville, MO 63021
United States
www.eaton.com/elx



Powering Business Worldwide

© 2014 Eaton
All Rights Reserved
Publication No. 10199 — BU-SB131200
January 2014

Eaton is a registered trademark.

All other trademarks are property of their respective owners.

www.eaton.com/elx